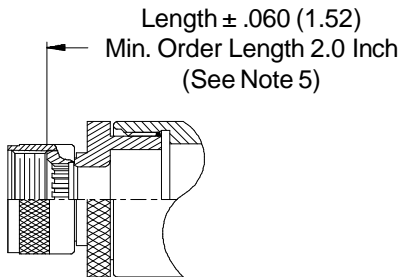
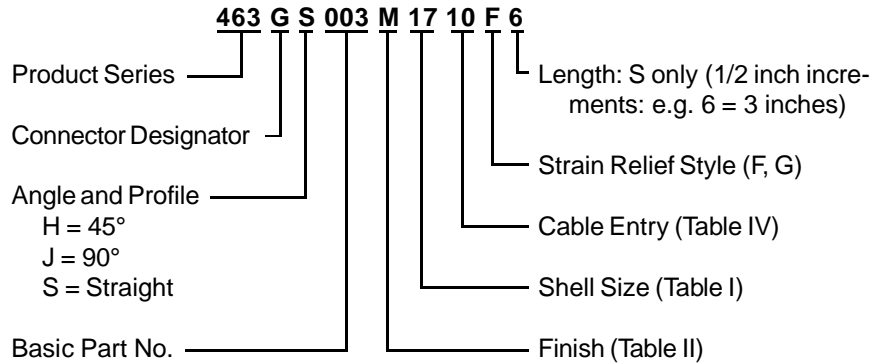
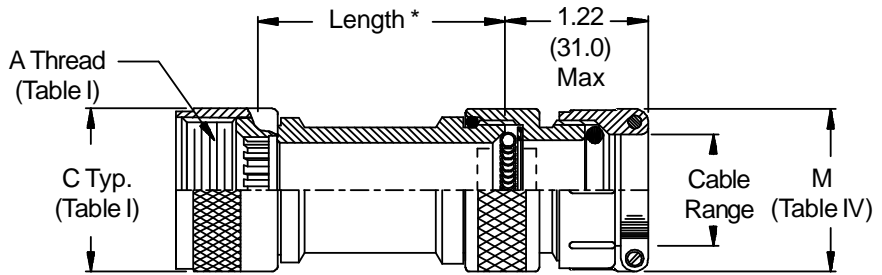


**CONNECTOR
DESIGNATOR**
G
**ROTATABLE
COUPLING**

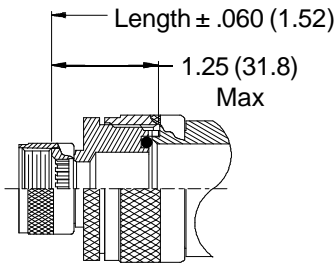


**STYLE 2
(STRAIGHT
See Note 1)**

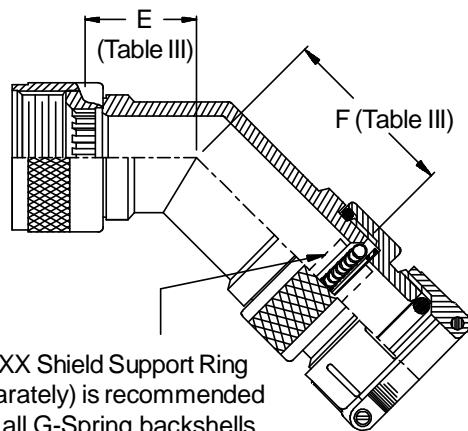


* Length ± .060 (1.52)
Minimum Order Length 1.5 Inch
(See Note 5)

Shown with Style F
Strain Relief

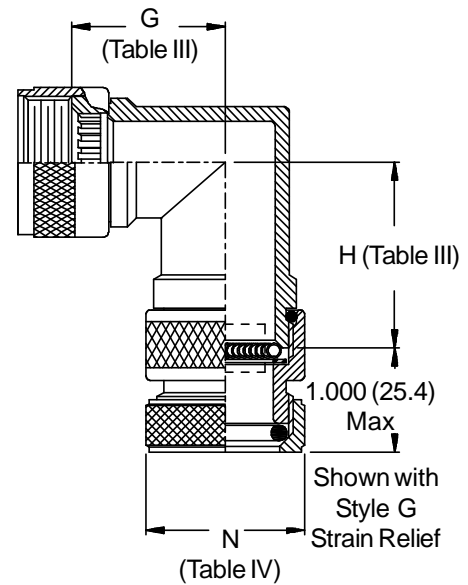


**STYLE 2
(45° & 90°
See Note 1)**



Shown with Style F
Strain Relief

469-001-XX Shield Support Ring
(order separately) is recommended
for use in all G-Spring backshells
(see page 463-8)



Shown with Style G
Strain Relief

-445

Add "-445" to Specify Glenair's Non-Detent,
("NESTOR") Spring-Loaded, Self-Locking Coupling.
See Page 41 for Details.



**See inside back cover
fold-out or pages 13 and
14 for Tables I and II.**

TABLE III: ELBOW DIMENSIONS								
Shell Size	E		F		G		H	
	Max		Max		Max		Max	
11	1.240	(31.5)	1.630	(41.4)	1.380	(35.1)	1.770	(45.0)
13	1.260	(32.0)	1.650	(41.9)	1.440	(36.6)	1.830	(46.5)
15	1.290	(32.8)	1.680	(42.7)	1.500	(38.1)	1.900	(48.3)
17	1.310	(33.3)	1.700	(43.2)	1.570	(39.9)	1.960	(49.8)
19	1.340	(34.0)	1.730	(43.9)	1.630	(41.4)	2.040	(51.8)
23	1.380	(35.1)	1.770	(45.0)	1.730	(43.9)	2.120	(53.3)
25	1.410	(35.8)	1.800	(45.7)	1.800	(45.7)	2.190	(53.8)
29	1.580	(40.1)	1.970	(50.0)	2.040	(51.8)	2.430	(61.7)
33	1.620	(41.1)	2.010	(51.1)	2.130	(54.1)	2.520	(64.0)

TABLE IV: CABLE ENTRY						
Dash No.	M Max	N Max	Cable Range			
			Min	Max		
01	.843 (21.4)	.625 (15.9)	.125 (3.2)	.250 (6.4)		
02	.968 (24.6)	.750 (19.1)	.156 (4.0)	.375 (9.5)		
03	1.046 (26.6)	.875 (22.2)	.250 (6.4)	.438 (11.1)		
04	1.156 (29.4)	1.000 (25.4)	.280 (7.1)	.500 (12.7)		
05	1.218 (30.9)	1.125 (28.6)	.375 (9.5)	.625 (15.9)		
06	1.343 (34.1)	1.250 (31.8)	.500 (12.7)	.750 (19.1)		
07	1.468 (37.3)	1.375 (34.9)	.625 (15.9)	.875 (22.2)		
08	1.593 (40.5)	1.500 (38.1)	.750 (19.1)	1.000 (25.4)		
09	1.718 (43.6)	1.625 (41.3)	.875 (22.2)	1.125 (28.6)		
10	1.843 (46.8)	1.750 (44.5)	1.000 (25.4)	1.250 (31.8)		
11*	2.187 (55.5)	1.875 (47.6)	1.125 (28.6)	1.375 (34.9)		
12*	2.312 (58.7)	2.000 (50.8)	1.250 (31.8)	1.500 (38.1)		
13*	2.437 (61.9)	2.125 (54.0)	1.375 (34.9)	1.625 (41.3)		
14*	2.546 (64.7)	2.250 (57.2)	1.500 (38.1)	1.750 (44.5)		

* Consult factory for availability

1. Shield Support Ring (469-001-XX) is recommended for use in all G-Spring backshells (see page 463-8).
2. When maximum cable entry (page 21) is exceeded, Style 2 will be supplied. Dimensions E, F, G and H will not apply. Please consult factory.
3. Metric dimensions (mm) are indicated in parentheses.
4. Cable range is defined as the accommodations range for the wire bundle or cable. Dimensions shown are not intended for inspection criteria.
5. Consult factory for shorter lengths on straight backshells.